

## Possible applications include :



Garage door accessories



Wing shutter and louver accessories



Common accessories for gates



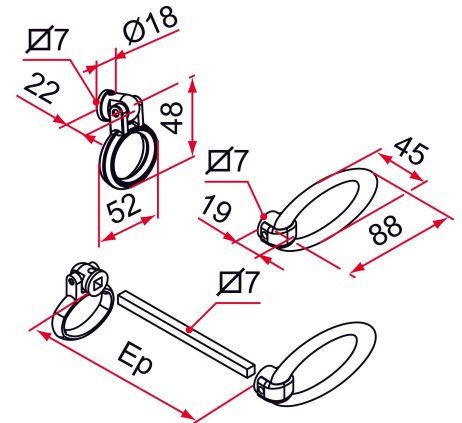
## Features

- Aluminum rings. Comes with a 7mm square made of steel or stainless steel and a mounting key.



### Tip

- Cuttable steel square along its entire length. Cuttable stainless steel square within the limit of the anti-slip shape.



Products to be ordered from :  
 TIRARD SAS 16, Avenue du Vimeu Vert Z.A. du Vimeu Industriel 80210  
 FEUQUIERES-EN-VIMEU  
 email : [commande@tirard-burgaud.com](mailto:commande@tirard-burgaud.com)

## Possible applications include :



Garage door accessories



Wing shutter and louver accessories



Common accessories for gates



Référence	Thickness	Square material	Finish	GENCOD 3661598	Condit. par	Délai j
CG392103	55 to 60	steel	9005-80%	02178 4	1	7
CG391103	55 to 60	steel	9016-80%	02151 7	1	7
CG3XX103	55 to 60	steel		02205 7	1	21
CG392101	55 to 60	stainless steel	9005-80%	02176 0	1	7
CG391101	55 to 60	stainless steel	9016-80%	02149 4	1	7
CG3XX101	55 to 60	stainless steel		02203 3	1	21
CG392104	85 to 90	steel	9005-80%	02179 1	1	7
CG391104	85 to 90	steel	9016-80%	02152 4	1	7
CG3XX104	85 to 90	steel		02206 4	1	21
CG392102	85 to 90	stainless steel	9005-80%	02177 7	1	7
CG391102	85 to 90	stainless steel	9016-80%	02150 0	1	7
CG3XX102	85 to 90	stainless steel		02204 0	1	21

Multi-RAL : specify your color when placing the order (<https://www.couleursral.fr/ral-classic>)