

Possible applications include :



Garage door accessories



Wing shutter and louver accessories



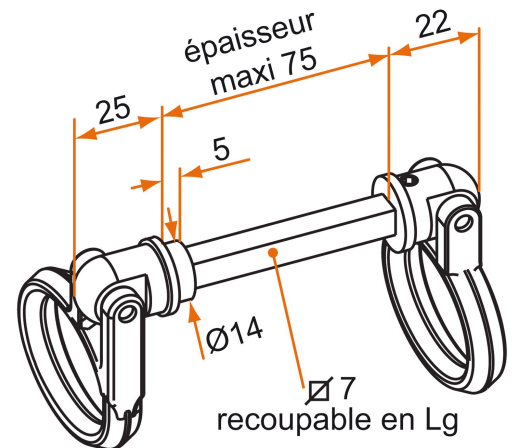
Features

- Cupro-aluminium rings For maximum thickness of 75 mm, can be cut to size
- Mounting of the female ring with countersunk screws
- Supplied with mounting key



Tip

- All operating mechanisms in the Multiréverso range are compatible with the 2 or 3-point CE or CJ lock.



Products to be ordered from :
 TIRARD SAS 16, Avenue du Vimeu Vert Z.A. du Vimeu Industriel 80210
 FEUQUIERES-EN-VIMEU
 email : commande@tirard-burgaud.com

Possible applications include :



Garage door accessories



Wing shutter and louver accessories



Référence	Finish	GENCOD 3661598	Condit. par	Délai j
CE692005	9005-80%	00274 5	1	7
CE612005	Zn	00271 4	1	7

 Multi-RAL : specify your color when placing the order (<https://www.couleursral.fr/ral-classic>)