

Possible applications include :



Garage door accessories



Wing shutter and louver accessories



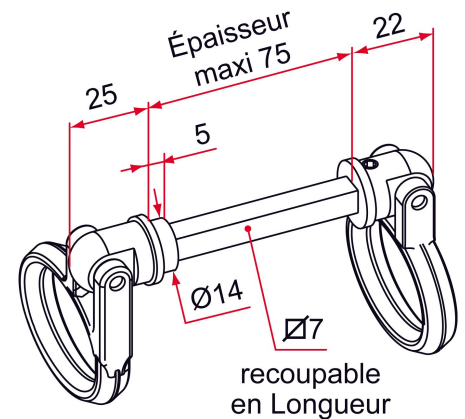
Features

- Cupro-aluminium rings For maximum thickness of 75 mm, can be cut to size
- Female ring assembly with countersunk screws
- Mounting key included



Tip

- All operating mechanisms in the Multiréverso range are compatible with the 2 or 3-point CE or CJ lock.



Products to be ordered from :
 TIRARD SAS 16, Avenue du Vimeu Vert Z.A. du Vimeu Industriel 80210
 FEUQUIERES-EN-VIMEU
 email : commande@tirard-burgaud.com



Double articulated ring with 7mm square in stainless steel.

Possible applications include :



Garage door accessories



Wing shutter and louver accessories



Référence	Finish	GENCOD 3661598	Condit. par	Délai j
CJ692001	9005-80%	00428 2	1	7
CJ691001	9016-80%	02379 5	1	7
CJ690001	9010-30%	00427 5	1	7

 Multi-RAL : specify your color when placing the order (<https://www.couleursral.fr/ral-classic>)