

Possible applications include :



Garage door accessories



Wing shutter and louver accessories



Common accessories for gates



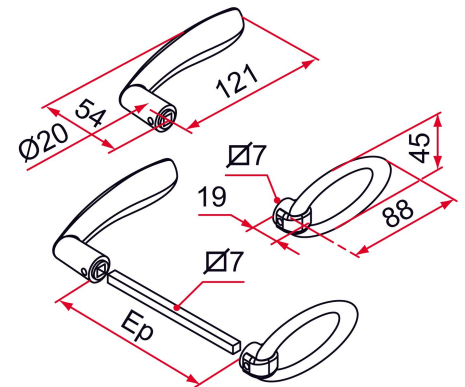
Features

- Aluminum ring and handle. Comes with a 7mm steel or stainless steel square and mounting key.



Tip

- Cuttable steel square along its entire length. Cuttable stainless steel square within the limit of the anti-slip shape.



Products to be ordered from :
 TIRARD SAS 16, Avenue du Vimeu Vert Z.A. du Vimeu Industriel 80210
 FEUQUIERES-EN-VIMEU
 email : commande@tirard-burgaud.com

Possible applications include :



Garage door accessories



Wing shutter and louver accessories



Common accessories for gates



Référence	Thickness	Square material	Finish	GENCOD 3661598	Condit. par	Délai j
CG392203	45 to 60	steel	9005-80%	02182 1	1	7
CG391203	45 to 60	steel	9016-80%	02155 5	1	7
CG3XX203	45 to 60	steel		02209 5	1	21
CG392201	45 to 60	stainless steel	9005-80%	02180 7	1	7
CG391201	45 to 60	stainless steel	9016-80%	02153 1	1	7
CG3XX201	45 to 60	stainless steel		02207 1	1	21
CG392204	75 to 90	steel	9005-80%	02183 8	1	7
CG391204	75 to 90	steel	9016-80%	02156 2	1	7
CG3XX204	75 to 90	steel		02210 1	1	21
CG392202	75 to 90	stainless steel	9005-80%	02181 4	1	7
CG391202	75 to 90	stainless steel	9016-80%	02154 8	1	7
CG3XX202	75 to 90	stainless steel		02208 8	1	21

Multi-RAL : specify your color when placing the order (<https://www.couleursral.fr/ral-classic>)