

Possible applications include :



Garage door accessories



Wing shutter and louver accessories



Common accessories for gates



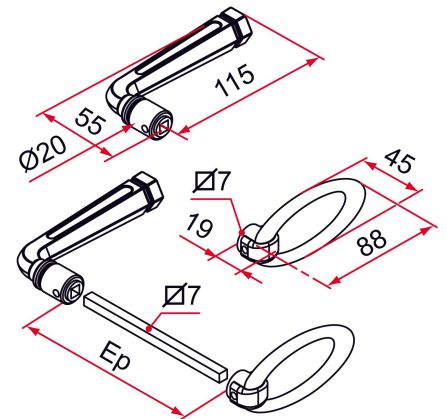
## Features

- Aluminum ring and handle. Comes with a 7mm steel or stainless steel square and mounting key.



### Tip

- Cuttable steel square along its entire length. Cuttable stainless steel square within the limit of the anti-slip shape.



Products to be ordered from :  
 TIRARD SAS 16, Avenue du Vimeu Vert Z.A. du Vimeu Industriel 80210  
 FEUQUIERES-EN-VIMEU  
 email : [commande@tirard-burgaud.com](mailto:commande@tirard-burgaud.com)

## Possible applications include :



Garage door accessories



Wing shutter and louver accessories



Common accessories for gates



Référence	Thickness	Square material	Finish	GENCOD 3661598	Condit. par	Délai j
CG392303	45 to 60	steel	9005-80%	02186 9	1	7
CG391303	45 to 60	steel	9016-80%	02159 3	1	7
CG3XX303	45 to 60	steel		02213 2	1	21
CG392301	45 to 60	stainless steel	9005-80%	02184 5	1	7
CG391301	45 to 60	stainless steel	9016-80%	02157 9	1	7
CG3XX301	45 to 60	stainless steel		02211 8	1	21
CG392304	75 to 90	steel	9005-80%	02187 6	1	7
CG391304	75 to 90	steel	9016-80%	02160 9	1	7
CG3XX304	75 to 90	steel		02214 9	1	21
CG392302	75 to 90	stainless steel	9005-80%	02185 2	1	7
CG391302	75 to 90	stainless steel	9016-80%	02158 6	1	7
CG3XX302	75 to 90	stainless steel		02212 5	1	21

Multi-RAL : specify your color when placing the order (<https://www.couleursral.fr/ral-classic>)