

Possible applications include :



PVC and Aluminum
wing shutter
accessories



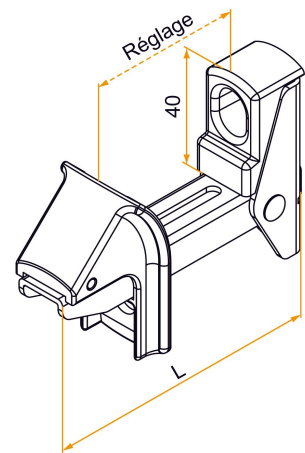
Features

- In aluminum. Supplied with plug.



Tip

- Single shutter stop: adjustment from 5 to 50 mm
Double shutter stop: adjustment from 60 to 105 mm



Products to be ordered from :
BURGAUD SAS 147, rue des Paludiers Z.I. des Mares 85270 SAINT-HILAIRE-DE-RIEZ
email : commande@tirard-burgaud.com

Possible applications include :



PVC and Aluminum
wing shutter
accessories



Référence	L	Adjustment	Finish	GENCOD 3565920	Condit. par	Délai j
900426	107	5 to 50	9005-30%	05868 7	50	14
900428	107	5 to 50	9016-80%	05870 0	50	14
900427	162,5	60 to 105	9005-30%	05869 4	25	21
900429	162,5	60 to 105	9016-80%	05871 7	25	21

 Multi-RAL : specify your color when placing the order (<https://www.couleursral.fr/ral-classic>)