

Possible applications include :



PVC and Aluminum  
wing shutter  
accessories



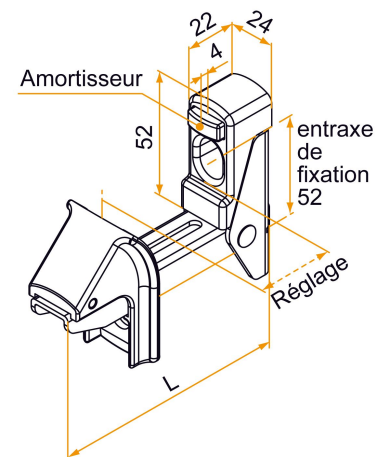
## Features

- Aluminum



**Tip**

- Single shutter stop: adjustment from 5 to 50 mm  
- Double shutter stop: adjustment from 60 to 105 mm



Products to be ordered from :  
BURGAUD SAS 147, rue des Paludiers Z.I. des Mares 85270 SAINT-HILAIRE-DE-RIEZ  
email : [commande@tirard-burgaud.com](mailto:commande@tirard-burgaud.com)

Possible applications include :



PVC and Aluminum  
wing shutter  
accessories



Référence	L	Adjustment	Finish	GENCOD 3565920	Condit. par	Délai j
3AA92003	107	5 to 50	9005-30%	16039 7	50	21
3AA91003	107	5 to 50	9016-80%	16044 1	50	21
3AA92004	162,5	60 to 105	9005-30%	16040 3	25	21
3AA91004	162,5	60 to 105	9016-80%	16045 8	25	21

 Multi-RAL : specify your color when placing the order (<https://www.couleursral.fr/ral-classic>)