

Possible applications include :

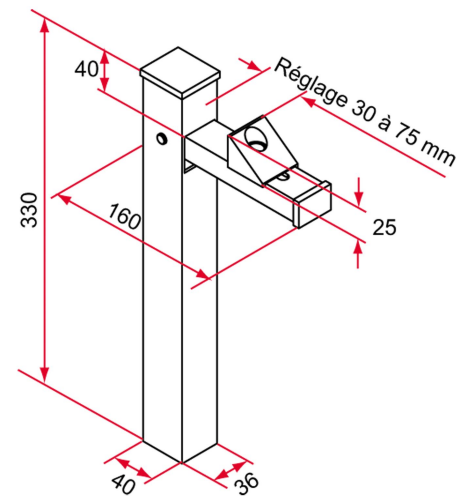


Swinging gate accessories



Features

- Adjustable for a gate with a thickness of 30 to 75 mm
- Aluminum body Composite stopper Composite end cap
- Stainless steel spring, axle, and screws



Products to be ordered from :
 TIRARD SAS 16, Avenue du Vimeu Vert Z.A. du Vimeu Industriel 80210
 FEUQUIERES-EN-VIMEU
 email : commande@tirard-burgaud.com

Possible applications include :



Swinging gate accessories



Référence	Finish	GENCOD 3661598	Condit. par	Délai j
QE310001	anodized	00764 1	12	7

 Multi-RAL : specify your color when placing the order (<https://www.couleursral.fr/ral-classic>)