

Possible applications include :



Swinging gate accessories

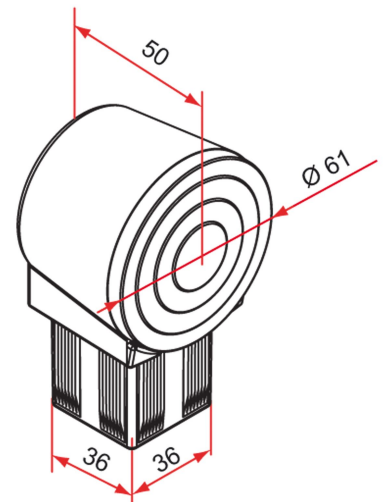


Sliding gate



## Features

- In composite



Products to be ordered from :  
 TIRARD SAS 16, Avenue du Vimeu Vert Z.A. du Vimeu Industriel 80210  
 FEUQUIERES-EN-VIMEU  
 email : [commande@tirard-burgaud.com](mailto:commande@tirard-burgaud.com)

Possible applications include :



Swinging gate accessories



Sliding gate



Référence	Finish	GENCOD 3661598	Condit. par	Délai j
QE591007	black	01995 8	10	7

 Multi-RAL : specify your color when placing the order (<https://www.couleursral.fr/ral-classic>)