

Possible applications include :



PVC and Aluminum  
wing shutter  
accessories

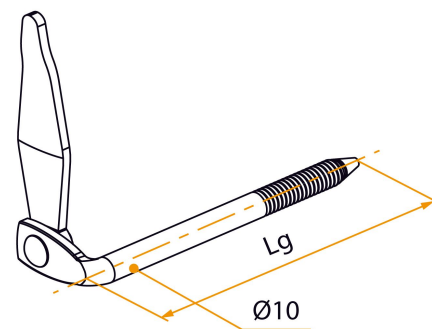


External thermal  
insulation



Features

- In aluminum. Delivered without stoppers and screws.



Products to be ordered from :  
BURGAUD SAS 147, rue des Paludiers Z.I. des Mares 85270 SAINT-HILAIRE-DE-RIEZ  
email : [commande@tirard-burgaud.com](mailto:commande@tirard-burgaud.com)

Possible applications include :



PVC and Aluminum wing shutter accessories



External thermal insulation



Référence	L	Ø	Finish	GENCOD 3565920	Condit. par	Délai j
800702	130	10	9005-30%	03034 8	50	14
800703	130	10	9016-80%	03035 5	50	14
800702RAL	130	10		10110 9	1	14
800706	180	10	9005-30%	03038 6	50	14
800707	180	10	9016-80%	03039 3	50	14
800706RAL	180	10		10111 6	1	14

Multi-RAL : specify your color when placing the order (<https://www.couleursral.fr/ral-classic>)