

Possible applications include :

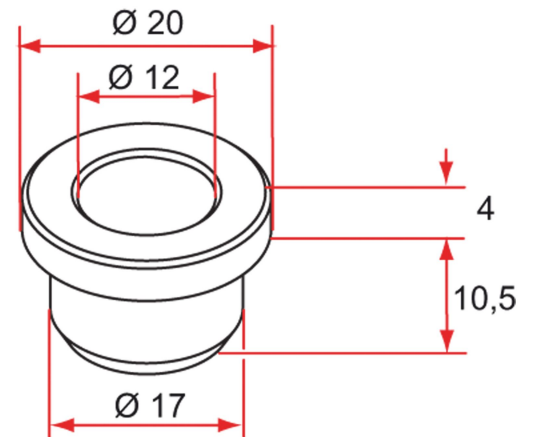


Swinging gates



Features

- Press fit assembly
- For aluminium end cap or 45° angle bracket



Products to be ordered from :
 TIRARD SAS 16, Avenue du Vimeu Vert Z.A. du Vimeu Industriel 80210
 FEUQUIERES-EN-VIMEU
 email : commande@tirard-burgaud.com

Possible applications include :



Swinging gates



Référence	Finishing stage	GENCOD 3661598	Condit. par	Délai j
LJ201001	raw	00654 5	100	7

 Multi-RAL : specify your color when placing the order (<https://www.couleursral.fr/ral-classic>)