

Possible applications include :

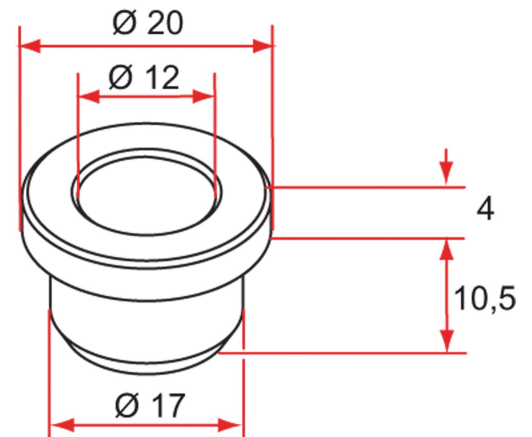


Swinging gate accessories



## Features

- Force fitting assembly for aluminum end cap or 45° bracket.



Products to be ordered from :  
 TIRARD SAS 16, Avenue du Vimeu Vert Z.A. du Vimeu Industriel 80210  
 FEUQUIERES-EN-VIMEU  
 email : [commande@tirard-burgaud.com](mailto:commande@tirard-burgaud.com)

Possible applications include :



Swinging gate accessories



| Référence | Finish | GENCOD<br>3661598 | Condit.<br>par | Délai j |
|-----------|--------|-------------------|----------------|---------|
| LJ590001N | black  | 05582 6           | 100            | 7       |
| LJ590001  | white  | 00658 3           | 100            | 7       |

 Multi-RAL : specify your color when placing the order (<https://www.couleursral.fr/ral-classic>)