

Possible applications include :



Garage door accessories



Wing shutter and louver accessories



Common accessories for gates



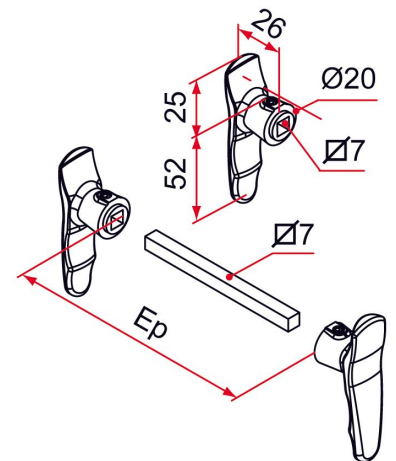
Features

- Aluminum door handles Fixing of the handle with stainless steel set screws Supplied with a 7 mm stainless steel square and installation key



Tip

- Carefully determine the handle model based on your specific use case. The thicknesses are indicated for the total thickness of the installation: support thickness (shutter, door, gate) + lock thickness + plate or entrance thickness. Square can be cut within the limit of the anti-slip shape. Other combinations with our different handles are also possible. Please contact us for more information.



Possible applications include :

Garage door accessories



Wing shutter and louver accessories



Common accessories for gates



Products to be ordered from :
TIRARD SAS 16, Avenue du Vimeu Vert Z.A. du Vimeu Industriel 80210
FEUQUIERES-EN-VIMEU
email : commande@tirard-burgaud.com

Possible applications include :



Garage door accessories



Wing shutter and louver accessories



Common accessories for gates



Référence	Thickness	Finish	GENCOD 3661598	Condit. par	Délai j
CG392530	50 to 60	9005-30%	04288 8	1	7
CG391530	50 to 60	9016-80%	04287 1	1	7
CG3XX530	50 to 60		04292 5	1	21
CG392531	80 to 90	9005-30%	04296 3	1	7
CG391531	80 to 90	9016-80%	04295 6	1	7
CG3XX531	80 to 90		04300 7	1	21

Multi-RAL : specify your color when placing the order (<https://www.couleursral.fr/ral-classic>)