

Possible applications include :



Common accessories  
for gates



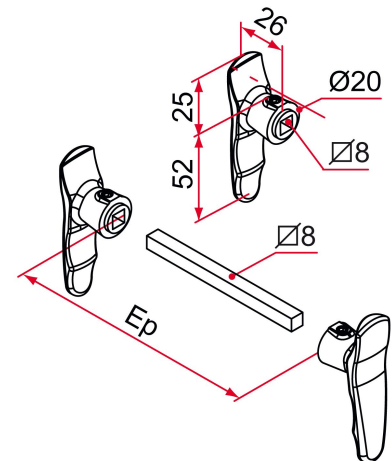
## Features

- Aluminum door handles Fixing of the handle with stainless steel set screws Supplied with an 8mm stainless steel square and installation key



### Tip

- Carefully determine the handle model based on your specific use case. The thicknesses are indicated for the total thickness of the installation: support thickness (shutter, door, gate) + lock thickness + plate or entrance thickness. Square can be cut within the limit of the anti-slip shape. Other combinations with our different handles are also possible. Please contact us for more information.



Possible applications include :



Common accessories  
for gates





Products to be ordered from :  
TIRARD SAS 16, Avenue du Vimeu Vert Z.A. du Vimeu Industriel 80210  
FEUQUIERES-EN-VIMEU  
email : [commande@tirard-burgaud.com](mailto:commande@tirard-burgaud.com)

Possible applications include :



Common accessories  
for gates



Référence	Thickness	Finish	GENCOD 3661598	Condit. par	Délai j
CG392520	50 to 60	9005-30%	04291 8	1	14
CG391520	50 to 60	9016-80%	04290 1	1	14
CG3XX520	50 to 60		04293 2	1	21
CG392521	80 to 90	9005-30%	04299 4	1	14
CG391521	80 to 90	9016-80%	04298 7	1	14
CG3XX521	80 to 90		04301 4	1	21

 Multi-RAL : specify your color when placing the order (<https://www.couleursral.fr/ral-classic>)