

Possible applications include :



Common accessories  
for gates



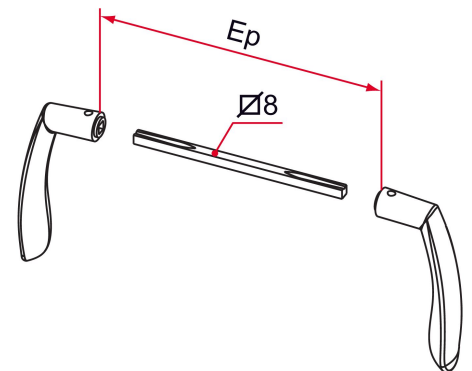
## Features

- Aluminum door handles Fixing of the handle with stainless steel set screws Supplied with an 8mm stainless steel square and installation key



### Tip

- Carefully determine the handle model based on your specific use case. The thicknesses are indicated for the total thickness of the installation: support thickness (shutter, door, gate) + lock thickness + plate or entrance thickness. Square can be cut within the limit of the anti-slip shape. Other combinations with our different handles are also possible. Please contact us for more information.



Possible applications include :



Common accessories  
for gates



Products to be ordered from :  
TIRARD SAS 16, Avenue du Vimeu Vert Z.A. du Vimeu Industriel 80210  
FEUQUIERES-EN-VIMEU  
email : [commande@tirard-burgaud.com](mailto:commande@tirard-burgaud.com)

Possible applications include :



Common accessories  
for gates



Référence	Thickness	Finish	GENCOD 3661598	Condit. par	Délai j
JE392024SAT30	30 à 60	9005-30%	04656 5	25	14
JE392024	30 à 60	9005-80%	02479 2	25	14
JE391024	30 à 60	9016-80%	02482 2	25	14
JE3XX024	30 à 60		02485 3	1	21
JE392025SAT30	60 to 90	9005-30%	04658 9	25	14
JE392025	60 to 90	9005-80%	02480 8	25	14
JE391025	60 to 90	9016-80%	02483 9	25	14
JE3XX025	60 to 90		02486 0	1	21
JE392026SAT30	90 to 120	9005-30%	04659 6	25	14
JE392026	90 to 120	9005-80%	02481 5	25	14
JE391026	90 to 120	9016-80%	02484 6	25	14
JE3XX026	90 to 120		02487 7	1	21

Multi-RAL : specify your color when placing the order (<https://www.couleursral.fr/ral-classic>)