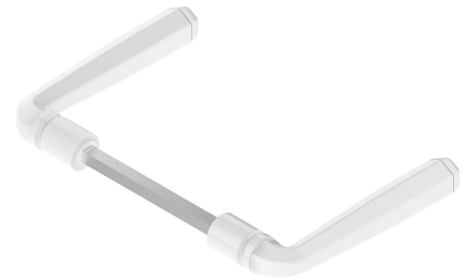


Possible applications include :



Common accessories
for gates



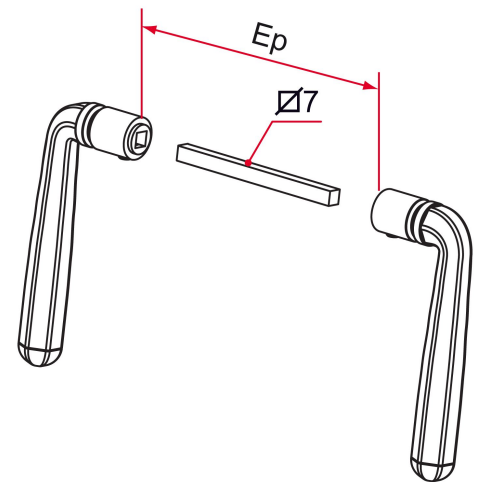
Features

- Polycarbonate handles Handle fixed with stainless steel set screws Supplied with 7 mm stainless steel or steel square and installation key



Tip

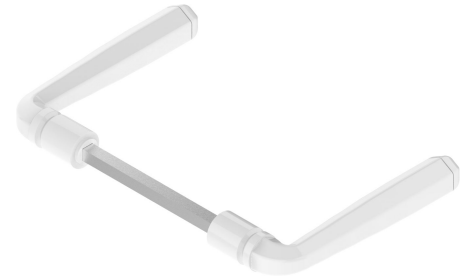
- Carefully determine the handle model based on your specific use case. The thicknesses are indicated for the total thickness of the installation: support thickness (shutter, door, gate) + lock thickness + plate or entrance thickness. Square can be cut within the limit of the anti-slip shape. Other combinations with our different handles are also possible. Please contact us for more information.



Possible applications include :



Common accessories
for gates

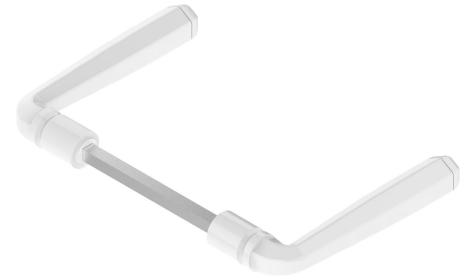


Products to be ordered from :
TIRARD SAS 16, Avenue du Vimeu Vert Z.A. du Vimeu Industriel 80210
FEUQUIERES-EN-VIMEU
email : commande@tirard-burgaud.com

Possible applications include :



Common accessories
for gates



Référence	Thickness	Material	Finish	GENCOD 3661598	Condit. par	Délai j
JE591001	30 à 60	steel	white	01762 6	25	7
JE591004	30 à 60	stainless steel	white	01765 7	25	7
JE591002	60 to 90	steel	white	01763 3	25	7
JE591005	60 to 90	stainless steel	white	01766 4	25	7
JE591003	90 to 120	steel	white	01764 0	25	7
JE591006	90 to 120	stainless steel	white	01767 1	25	7

 Multi-RAL : specify your color when placing the order (<https://www.couleursral.fr/ral-classic>)