

Possible applications include :



Common accessories
for gates



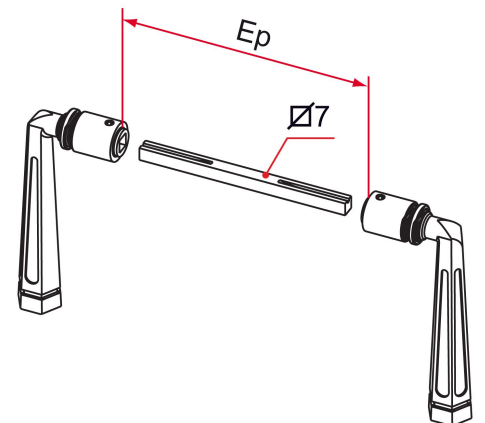
Features

- Aluminum door handles Fixing of the handle with stainless steel set screws Supplied with a 7 mm stainless steel square and installation key



Tip

- Carefully determine the handle model based on your specific use case. The thicknesses are indicated for the total thickness of the installation: support thickness (shutter, door, gate) + lock thickness + plate or entrance thickness. Square can be cut within the limit of the anti-slip shape. Other combinations with our different handles are also possible. Please contact us for more information.



Possible applications include :



Common accessories
for gates






Products to be ordered from :
TIRARD SAS 16, Avenue du Vimeu Vert Z.A. du Vimeu Industriel 80210
FEUQUIERES-EN-VIMEU
email : commande@tirard-burgaud.com

Possible applications include :



Common accessories
for gates



Référence	Thickness	Finish	GENCOD 3661598	Condit. par	Délai j
JE392001	30 à 60	9005-80%	00587 6	25	7
JE391001	30 à 60	9016-80%	00575 3	25	7
JE3XX001	30 à 60		01494 6	1	21
JE392003	60 to 90	9005-80%	00589 0	25	7
JE391003	60 to 90	9016-80%	00577 7	25	7
JE3XX002	60 to 90		01495 3	1	21
JE392005	90 to 120	9005-80%	00591 3	25	7
JE391005	90 to 120	9016-80%	00579 1	25	7
JE3XX003	90 to 120		01496 0	1	21

 Multi-RAL : specify your color when placing the order (<https://www.couleursral.fr/ral-classic>)