

Possible applications include :



Swinging gate accessories



Sliding gate



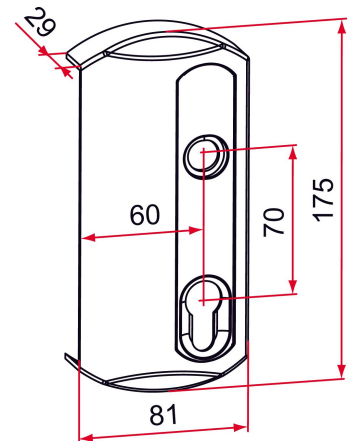
Features

- Reversible



Tip

- Compatible with Modulox locks with recessed bolt or lifting bolt.



Products to be ordered from :
 TIRARD SAS 16, Avenue du Vimeu Vert Z.A. du Vimeu Industriel 80210
 FEUQUIERES-EN-VIMEU
 email : commande@tirard-burgaud.com

Possible applications include :




Swinging gate accessories



Sliding gate



Référence	Finish	GENCOD 3661598	Condit. par	Délai j
GB792020	9005-80%	01490 8	1	7
GB791020	9016-80%	01485 4	1	7
GB7XX020		01893 7	1	21

 Multi-RAL : specify your color when placing the order (<https://www.couleursral.fr/ral-classic>)