

Possible applications include :

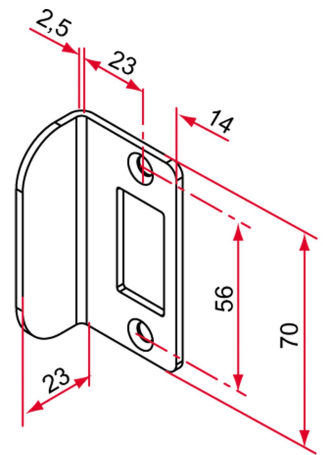


Swinging gate accessories



Features

- In Stainless Steel 304 Reversible Compatible with all GK locks



Products to be ordered from :
 TIRARD SAS 16, Avenue du Vimeu Vert Z.A. du Vimeu Industriel 80210
 FEUQUIERES-EN-VIMEU
 email : commande@tirard-burgaud.com



GK stopper for gate with profile thickness up to 46mm.

Possible applications include :



Swinging gate accessories



Référence	Finish	GENCOD 3661598	Condit. par	Délai j
GK492401	9005-80%	02950 6	1	7
GK491401	9016-80%	02949 0	1	14
GK401401	brush	02948 3	1	7
GK4XX401		04917 7	1	21

Multi-RAL : specify your color when placing the order (<https://www.couleursral.fr/ral-classic>)