

Possible applications include :



Swinging gate accessories



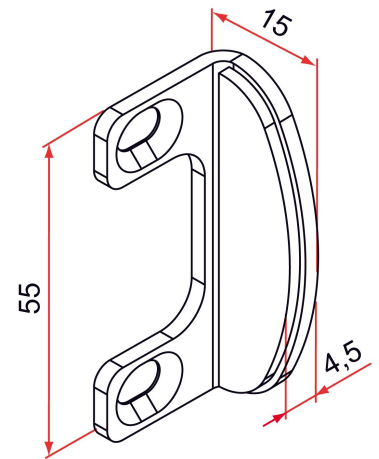
Features

- Stainless steel with a 2 mm thick shock-absorbing pad.



Tip

- The stopper can be mounted on the lock (interior opening) or on the latch (exterior opening).




Products to be ordered from :
 TIRARD SAS 16, Avenue du Vimeu Vert Z.A. du Vimeu Industriel 80210
 FEUQUIERES-EN-VIMEU
 email : commande@tirard-burgaud.com

Possible applications include :



Swinging gate accessories



Référence	Finish	GENCOD 3661598	Condit. par	Délai j
GB492041	9005-80%	01436 6	1	7
GB491041	9016-80%	01443 4	1	7
GB4XX041		01891 3	1	21

 Multi-RAL : specify your color when placing the order (<https://www.couleursral.fr/ral-classic>)