

Possible applications include :

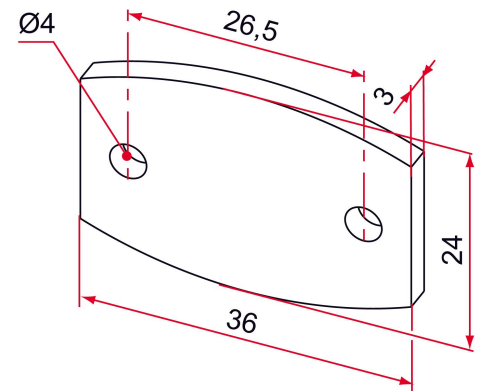


Wing shutter and louver accessories



Features

- Aluminium For composite slide



Products to be ordered from :
 TIRARD SAS 16, Avenue du Vimeu Vert Z.A. du Vimeu Industriel 80210
 FEUQUIERES-EN-VIMEU
 email : commande@tirard-burgaud.com

Possible applications include :



Wing shutter and louver accessories



Référence	Finish	GENCOD	Condit. par	Délai j
CA300001	raw	00226 4	1	7

 Multi-RAL : specify your color when placing the order (<https://www.couleursral.fr/ral-classic>)