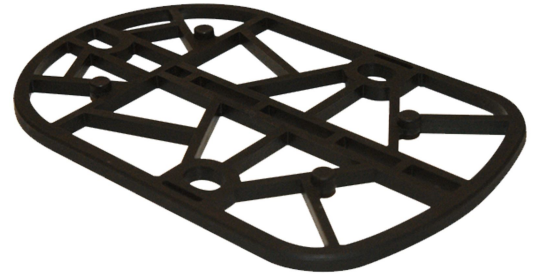


Possible applications include :



Swinging gate accessories

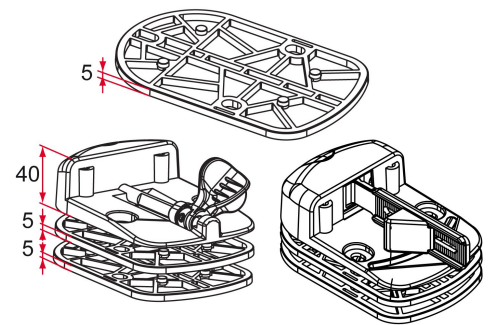


Features

- 5mm composite shim Allows for adjusting the height of the shoe
 Addition of a maximum of two shims
 Plugs to prevent slipping and ensure stacking of shims

ATTENTION

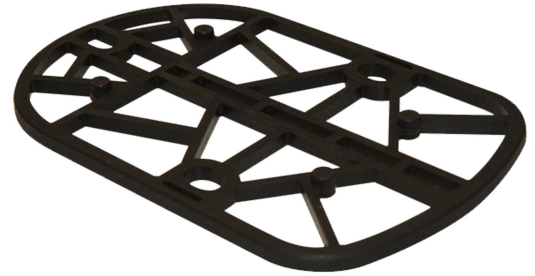
- This shim is only compatible with the following brackets: -
 Rotary bracket with cupro-aluminium protection - Composite rotary bracket - Automatic bracket with 20mm stop - composite
 - Automatic bracket with 30mm stop - composite - Simple composite bracket - Simple cupro-aluminium bracket



Possible applications include :



Swinging gate accessories



Référence	Finish	GENCOD 3661598	Condit. par	Délai j
QA592401	black	01882 1	1	7

 Multi-RAL : specify your color when placing the order (<https://www.couleursral.fr/ral-classic>)