

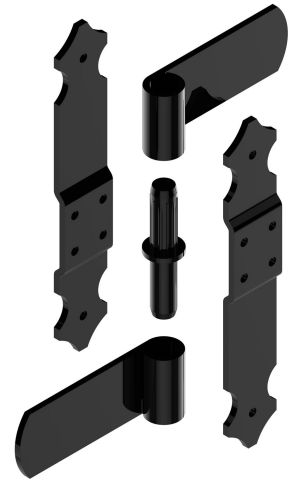
Possible applications include :



Wooden wing shutter accessories

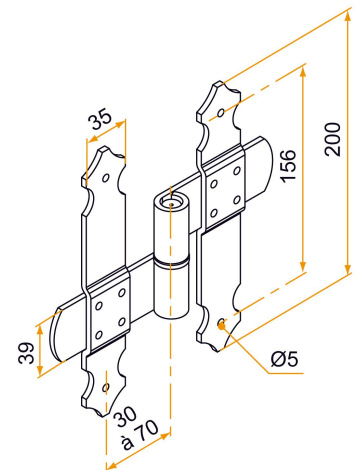


PVC and Aluminum wing shutter accessories



## Features

- In aluminum Composition: 2 intermediate hinges 1 composite axis 2 L.95 mm knots



Products to be ordered from :  
BURGAUD SAS 147, rue des Paludiers Z.I. des Mares 85270 SAINT-HILAIRE-DE-RIEZ  
email : [commande@tirard-burgaud.com](mailto:commande@tirard-burgaud.com)

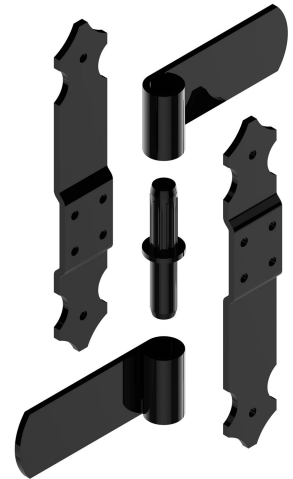
Possible applications include :



Wooden wing shutter accessories



PVC and Aluminum wing shutter accessories



Référence	Finish	Pin color	GENCOD 3565920	Condit. par	Délai j
KIU028N53	9005-30%	black	20891 4	30	21
KIU028B68	9016-80%	white	20890 7	30	21
KIU028ANRAL		black	20893 8	1	21
KIU028ABRAL		white	20894 5	1	21

 Multi-RAL : specify your color when placing the order (<https://www.couleursral.fr/ral-classic>)