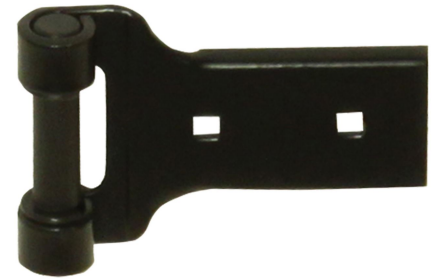


Possible applications include :

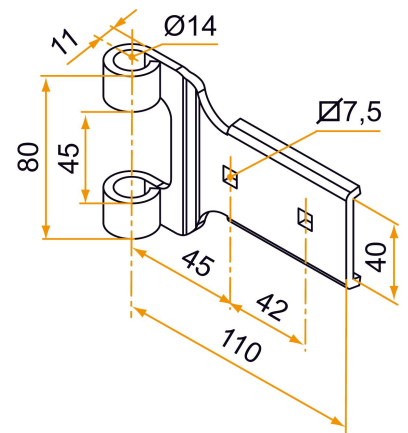


PVC and Aluminum
wing shutter
accessories



Features

- In aluminum. Supplied with axle and 2 circlips.



Products to be ordered from :
BURGAUD SAS 147, rue des Paludiers Z.I. des Mares 85270 SAINT-HILAIRE-DE-RIEZ
email : commande@tirard-burgaud.com

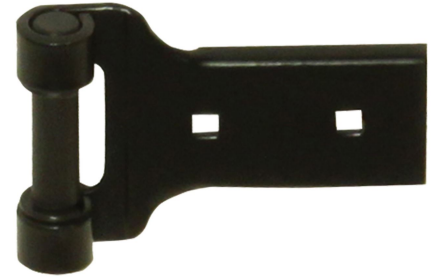


Twin hinge with axle - Ø14 - for offset hinge 14 - square holes of 7.5

Possible applications include :



PVC and Aluminum
wing shutter
accessories



Référence	Finish	Composite part	No. of holes	GENCOD 3565920	Condit. par	Délai j
800862C	9005-30%	noir	2	10239 7	25	14
8008606C	9016-80%	blanc	2	10236 6	25	14
800862CRAL		noir	2	10235 9	1	14
800862CABRAL		blanc	2	20747 4	1	14

Multi-RAL : specify your color when placing the order (<https://www.couleursral.fr/ral-classic>)