

Possible applications include :



PVC and Aluminum wing shutter accessories



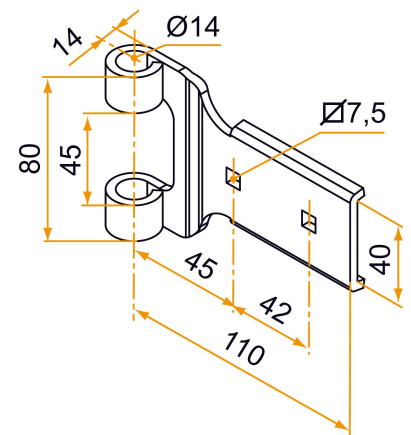
Features

- In aluminum. Supplied with axle and 2 circlips.



Tip

- The hinges, counter-hinges, adjustable hinges, and twin hinges from the 116 range are also available with Ø5 holes, please contact us for more information. The pin is black for reference 3PD92029RAL and white for reference 3PD92029ABRAL.



Products to be ordered from :
BURGAUD SAS 147, rue des Paludiers Z.I. des Mares 85270 SAINT-HILAIRE-DE-RIEZ
email : commande@tirard-burgaud.com



Twin hinge with axle - Ø14 - for offset hinge 19 - square holes of 7.5

Possible applications include :



PVC and Aluminum
wing shutter
accessories



Référence	Finish	Composite part	No. of holes	GENCOD 3565920	Condit. par	Délai j
3PD92029	9005-30%	noir	2	12487 0	25	14
3PD91016	9016-80%	blanc	2	12485 6	25	14
3PD92029RAL		noir	2	13648 4	1	14
3PD92029ABRAL		blanc	2	20746 7	1	14

Multi-RAL : specify your color when placing the order (<https://www.couleursral.fr/ral-classic>)