

Possible applications include :



PVC and Aluminum
wing shutter
accessories



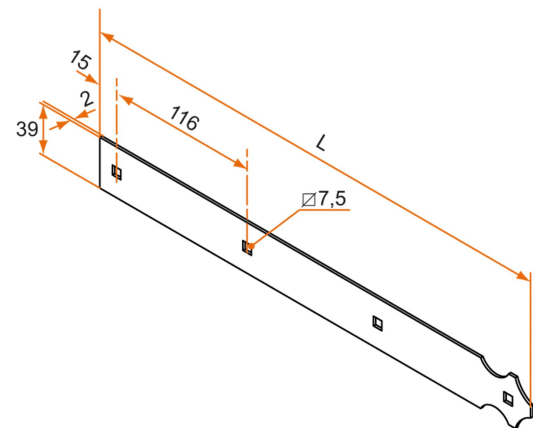
Features

- Aluminum



Tip

- The first hole counter-penture at 15 mm is recommended for shutters with a peripheral U width greater than or equal to 10 mm.



Products to be ordered from :
BURGAUD SAS 147, rue des Paludiers Z.I. des Mares 85270 SAINT-HILAIRE-DE-RIEZ
email : commande@tirard-burgaud.com

Possible applications include :



PVC and Aluminum wing shutter accessories



Référence	L	No. of holes	Finish	GENCOD 3565920	Condit. par	Délai j
3PD92212	152	2	9005-30%	16284 1	100	21
3PD91223	152	2	9016-80%	17829 3	100	21
3PD92212RAL	152	2		17869 9	1	21
3PD92213	267	3	9005-30%	17870 5	100	21
3PD91224	267	3	9016-80%	17830 9	100	21
3PD92213RAL	267	3		17871 2	1	21
3PD92214	383	4	9005-30%	17872 9	100	21
3PD91225	383	4	9016-80%	17831 6	100	21
3PD92214RAL	383	4		17873 6	1	21
3PD92215	499	5	9005-30%	17874 3	100	21
3PD91226	499	5	9016-80%	17832 3	100	21
3PD92215RAL	499	5		17875 0	1	21
3PD92216	615	6	9005-30%	17876 7	50	21
3PD91227	615	6	9016-80%	17833 0	50	21
3PD92216RAL	615	6		17877 4	1	21
3PD92217	731	7	9005-30%	17878 1	50	21
3PD91228	731	7	9016-80%	17834 7	50	21
3PD92217RAL	731	7		17879 8	1	21
3PD92218	847	8	9005-30%	17880 4	50	21
3PD91229	847	8	9016-80%	17835 4	50	21
3PD92218RAL	847	8		17881 1	1	21
3PD92219	963	9	9005-30%	17882 8	50	21
3PD91230	963	9	9016-80%	17836 1	50	21

Multi-RAL : specify your color when placing the order (<https://www.couleursral.fr/ral-classic>)