

Possible applications include :

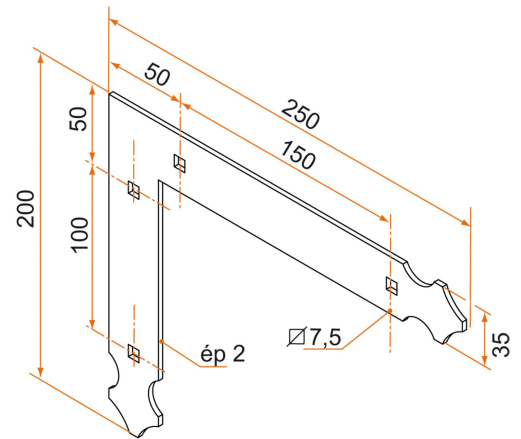


PVC and Aluminum
wing shutter
accessories



Features

- Aluminum



Products to be ordered from :
BURGAUD SAS 147, rue des Paludiers Z.I. des Mares 85270 SAINT-HILAIRE-DE-RIEZ
email : commande@tirard-burgaud.com



Square counter-hinge - 35x2 - H.200xL.250 - square holes of 7.5

Possible applications include :



PVC and Aluminum
wing shutter
accessories



| Référence | Finish | GENCOD 3565920 | Condit. par | Délai j |
|-------------|----------|-------------------|----------------|---------|
| 3PE92082 | 9005-30% | 11731 5 | 50 | 14 |
| 3PE91077 | 9016-80% | 11729 2 | 50 | 14 |
| 3PE92082RAL | | 11734 6 | 1 | 14 |

Multi-RAL : specify your color when placing the order (<https://www.couleursral.fr/ral-classic>)