

Possible applications include :

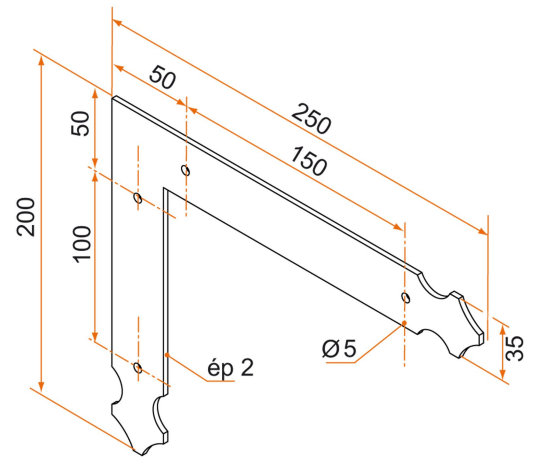


PVC and Aluminum  
wing shutter  
accessories



## Features

- Aluminum



Products to be ordered from :  
BURGAUD SAS 147, rue des Paludiers Z.I. des Mares 85270 SAINT-HILAIRE-DE-RIEZ  
email : [commande@tirard-burgaud.com](mailto:commande@tirard-burgaud.com)

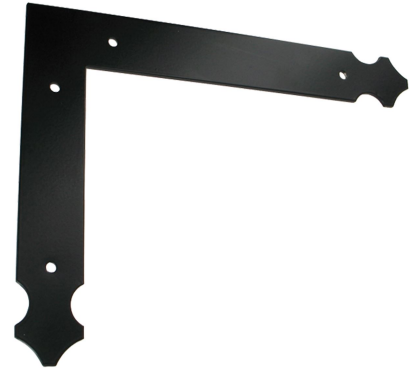


# Square counter-hinge - 35x2 - H.200xL.250 - 5 round holes

Possible applications include :



PVC and Aluminum  
wing shutter  
accessories



Référence	Finish	GENCOD 3565920	Condit. par	Délai j
3PE92084	9005-30%	11732 2	50	14
3PE91079	9016-80%	11730 8	50	14
3PE92084RAL		19581 8	1	14

Multi-RAL : specify your color when placing the order (<https://www.couleursral.fr/ral-classic>)