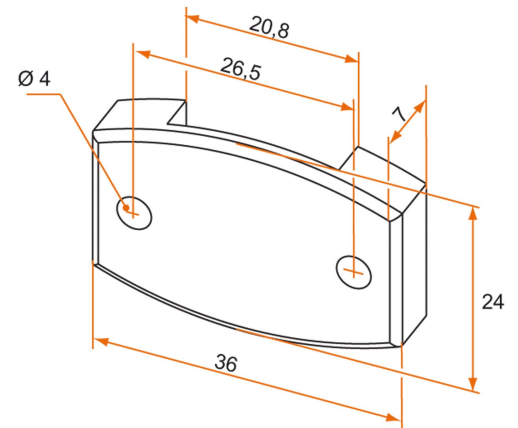


Possible applications include :



Wing shutter and louver accessories



Products to be ordered from :  
 TIRARD SAS 16, Avenue du Vimeu Vert Z.A. du Vimeu Industriel 80210  
 FEUQUIERES-EN-VIMEU  
 email : [commande@tirard-burgaud.com](mailto:commande@tirard-burgaud.com)

Possible applications include :



Wing shutter and louver accessories



Référence	Finish	GENCOD 3661598	Condit. par	Délai j
CA500001	gray	00232 5	1	7

 Multi-RAL : specify your color when placing the order (<https://www.couleursral.fr/ral-classic>)