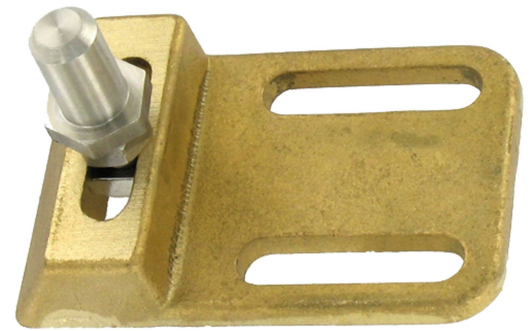


Possible applications include :

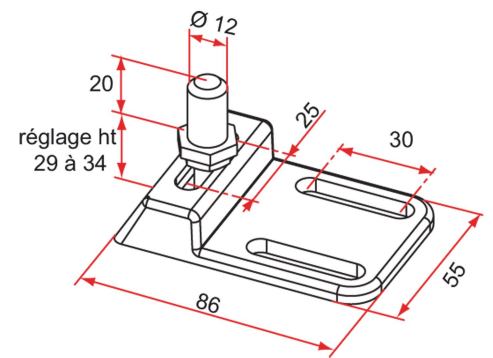


Swinging gate accessories



Features

- Adjustable on 3 axes: X, Y, and Z Body made of cupro-aluminium Pivot made of stainless steel 304

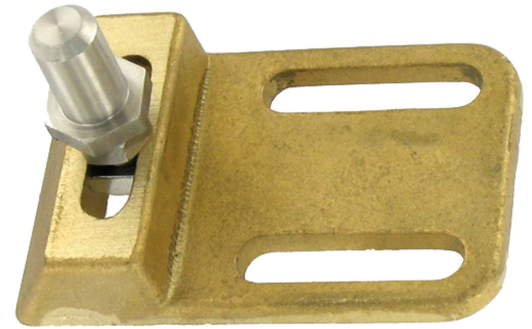


Products to be ordered from :
 TIRARD SAS 16, Avenue du Vimeu Vert Z.A. du Vimeu Industriel 80210
 FEUQUIERES-EN-VIMEU
 email : commande@tirard-burgaud.com

Possible applications include :



Swinging gate accessories



Référence	Finish	GENCOD 3661598	Condit. par	Délai j
NA601028	9005-80%	01930 9	1	7
NA601027	raw	00684 2	10	7

 Multi-RAL : specify your color when placing the order (<https://www.couleursral.fr/ral-classic>)