

Possible applications include :



Sliding gate



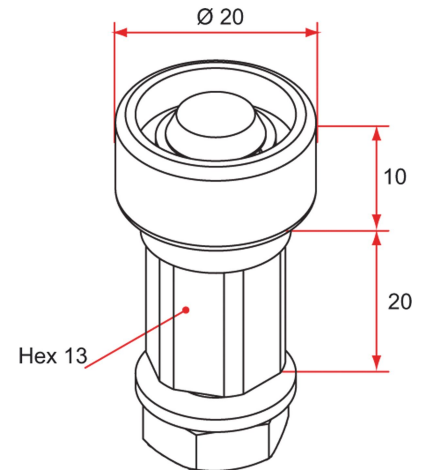
Features

- Made of steel and composite materials. Integrated anti-lifting function.



Tip

- Allow for 2 fingers for 1 plate.



Products to be ordered from :
 TIRARD SAS 16, Avenue du Vimeu Vert Z.A. du Vimeu Industriel 80210
 FEUQUIERES-EN-VIMEU
 email : commande@tirard-burgaud.com

Possible applications include :



Sliding gate



Référence	Finish	GENCOD 3661598	Condit. par	Délai j
NN501005	Zn	01794 7	1	7

 Multi-RAL : specify your color when placing the order (<https://www.couleursral.fr/ral-classic>)