

Possible applications include :



Wooden wing shutter accessories

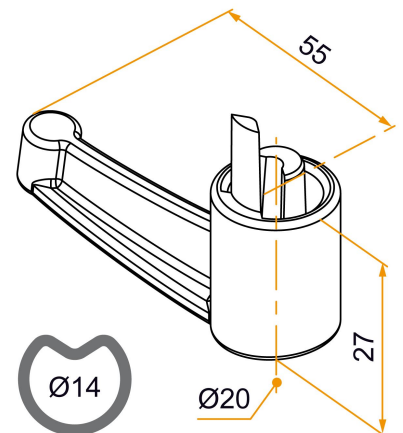


Features

- Aluminum Screw-on

ATTENTION

- Fixing screws for short end caps to be ordered separately: CBL TORX sheet metal screws - 4.8x32 - stainless steel 304 (refer to the index).



Products to be ordered from :
BURGAUD SAS 147, rue des Paludiers Z.I. des Mares 85270 SAINT-HILAIRE-DE-RIEZ
email : commande@tirard-burgaud.com



Short bottom end cap for V-shaped steel or aluminum tube.

Possible applications include :



Wooden wing shutter accessories



Référence	Finish	GENCOD 3565920	Condit. par	Délai j
3ES92064	9005-30%	18134 7	100	21

 Multi-RAL : specify your color when placing the order (<https://www.couleursral.fr/ral-classic>)