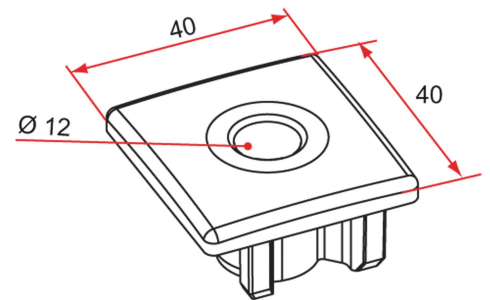


Possible applications include :



Swinging gate
accessories



Products to be ordered from :
TIRARD SAS 16, Avenue du Vimeu Vert Z.A. du Vimeu Industriel 80210
FEUQUIERES-EN-VIMEU
email : commande@tirard-burgaud.com



Drilled end cap - 40x40 - for 30x30 profile, thickness 1.5, coated 40x40 - copper-aluminium

Possible applications include :



Swinging gate accessories



Référence	Finish	GENCOD 3661598	Condit. par	Délai j
LJ692002	9005-80%	01683 4	50	14
LJ691002	9016-80%	01388 8	50	7
LJ619004	raw	01385 7	50	7
LJ6XX002		01499 1	1	21

Multi-RAL : specify your color when placing the order (<https://www.couleursral.fr/ral-classic>)