

Possible applications include :

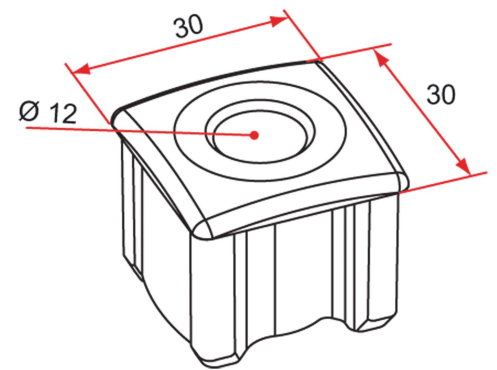


Swinging gate
accessories



Features

- for 30x30 profile, thickness 1.5mm



Products to be ordered from :
TIRARD SAS 16, Avenue du Vimeu Vert Z.A. du Vimeu Industriel 80210
FEUQUIERES-EN-VIMEU
email : commande@tirard-burgaud.com



Drilled end cap - 30x30 - for 30x30 profile, Th.1.5 - copper-aluminium

Possible applications include :



Swinging gate
accessories



Référence	Finish	GENCOD 3661598	Condit. par	Délai j
LJ692004	9005-80%	01885 2	50	7
LJ691004	9016-80%	01884 5	50	14
LJ619002	raw	01383 3	50	7
LJ6XX004		01679 7	1	21

Multi-RAL : specify your color when placing the order (<https://www.couleursral.fr/ral-classic>)