

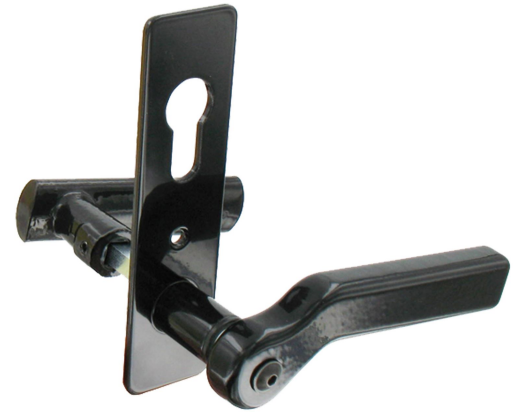
Possible applications include :



Garage door accessories

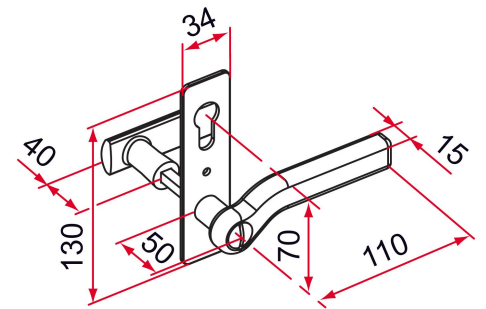


Wing shutter and louver accessories



Features

- Aluminum button and handle Steel entry For European direction only Supplied with 7 mm steel square



Products to be ordered from :
 TIRARD SAS 16, Avenue du Vimeu Vert Z.A. du Vimeu Industriel 80210
 FEUQUIERES-EN-VIMEU
 email : commande@tirard-burgaud.com



Handle set with entry for thickness 75 and 95 maximum.

Possible applications include :



Garage door accessories



Wing shutter and louver accessories



| Référence | Thickness | Finish | GENCOD 3661598 | Condit. par | Délai j |
|-----------|-----------|----------|-------------------|----------------|---------|
| CE092001 | 75 | 9005-80% | 00233 2 | 1 | 7 |
| CE090001 | 75 | 9010-30% | 01663 6 | 1 | 14 |
| CE092002 | 95 | 9005-80% | 00234 9 | 1 | 7 |
| CE090002 | 95 | 9010-30% | 01664 3 | 1 | 14 |

 Multi-RAL : specify your color when placing the order (<https://www.couleursral.fr/ral-classic>)