

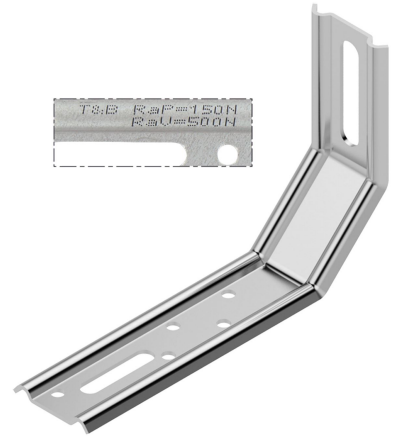
Possible applications include :



Hardware and woodwork



Menuiserie et agencement



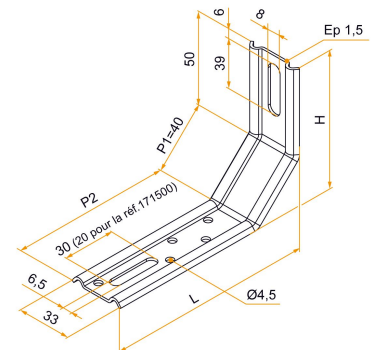
Features

- In treated steel. Compliant with DTU 36.5 Standard, April 2010.



Tip

- Minimum order quantity 5000 assorted pieces, factory lead time 3 weeks, for other dimensions, please consult us. The number of Ø 4.5 holes varies depending on the bracket model.



Marquage sur l'équerre :
 T&B : Identification Tirard et Burgaud
 RaP : Résistance admissible au poids
 RaV : Résistance admissible au vent
 xxx N : Valeur en Newton, en fonction du type et référence de patte

Products to be ordered from :
 BURGAUD SAS 147, rue des Paludiers Z.I. des Mares 85270 SAINT-HILAIRE-DE-RIEZ
 email : commande@tirard-burgaud.com

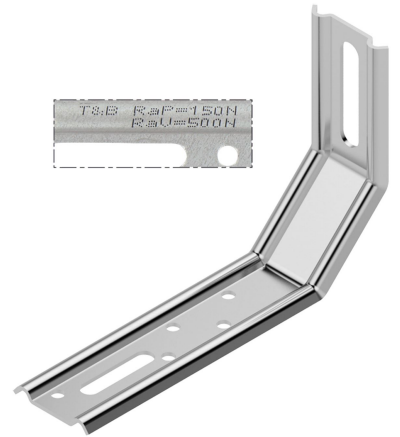
Possible applications include :



Hardware and
woodwork



Menuiserie et
agencement



Référence	H x L	P2	Finish	GENCOD 3565920	Condit. par	Délai j
171500	80x60	30	galvanized	10078 2	200	21
171510	80x70	40	galvanized	12236 4	200	21
171520	80x80	50	galvanized	12237 1	200	21
171530	80x90	60	galvanized	07383 3	150	21
171540	80x100	70	galvanized	11912 8	150	21
171550	80x110	80	galvanized	07384 0	150	21
171560	80x120	90	galvanized	11913 5	150	21
171570	80x130	100	galvanized	12238 8	150	21
171580	80x140	110	galvanized	12239 5	100	21
171590	80x150	120	galvanized	12240 1	100	21
171600	80x160	130	galvanized	12241 8	100	21
171610	80x170	140	galvanized	12242 5	100	21
171620	80x180	150	galvanized	12243 2	100	21
171630	80x190	160	galvanized	12244 9	100	21
171640	80x200	170	galvanized	12245 6	100	21

Multi-RAL : specify your color when placing the order (<https://www.couleursral.fr/ral-classic>)