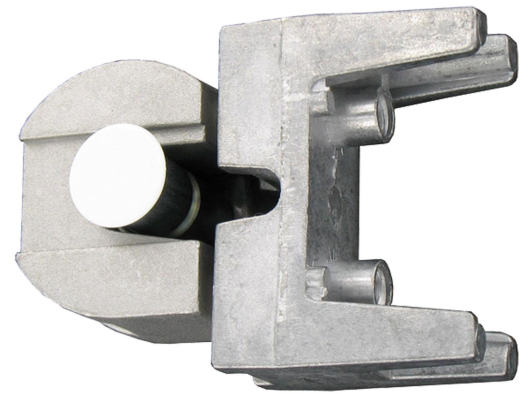


Possible applications include :

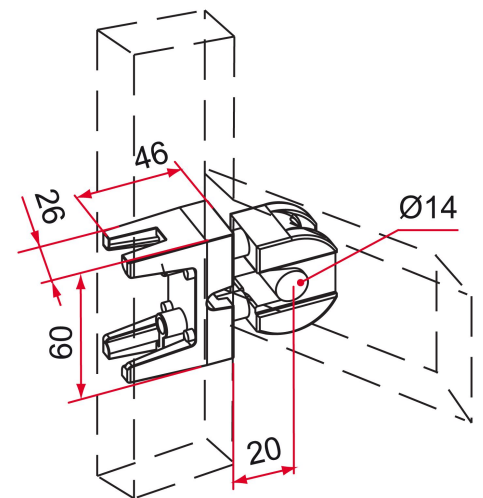


Common accessories
for gates



Features

- Made of aluminum with a steel pin. Allows the assembly of crossbars from 0 to 15° (without pre-adjustment), only the cut on the profile determines the angle. The pin is tightened with two M6x40 stainless steel screws (provided). Comes with two black or white caps to hide the pin.

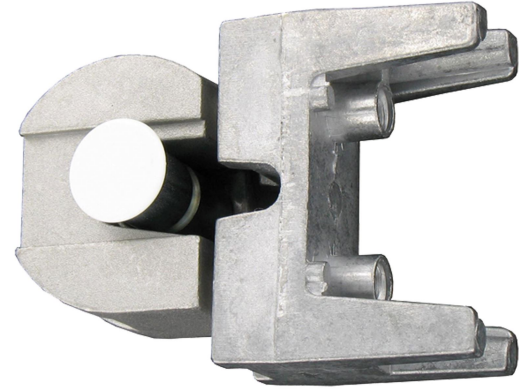


Products to be ordered from :
TIRARD SAS 16, Avenue du Vimeu Vert Z.A. du Vimeu Industriel 80210
FEUQUIERES-EN-VIMEU
email : commande@tirard-burgaud.com

Possible applications include :



Common accessories
for gates



Référence	Finish	GENCOD 3661598	Condit. par	Délai j
LE301002N	black	02003 9	1	7
LE301002	white	00640 8	1	7

 Multi-RAL : specify your color when placing the order (<https://www.couleursral.fr/ral-classic>)