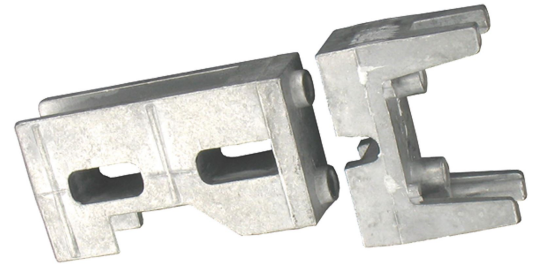


Possible applications include :

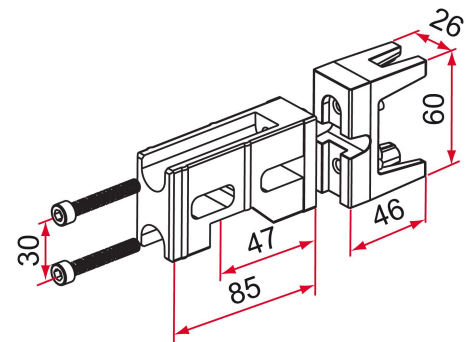


Common accessories
for gates



Features

- Aluminium material Stainless steel screws Invisible assembly, straight cut, no cut on the frame Installation with 1 locking plate (sold separately) Drilling axis at 47 mm

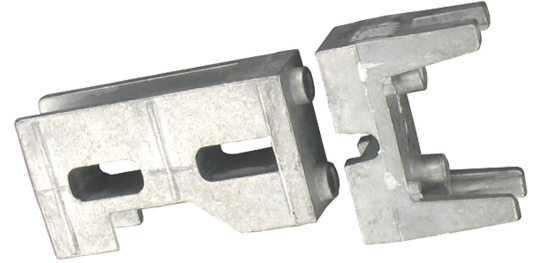


Products to be ordered from :
TIRARD SAS 16, Avenue du Vimeu Vert Z.A. du Vimeu Industriel 80210
FEUQUIERES-EN-VIMEU
email : commande@tirard-burgaud.com

Possible applications include :



Common accessories
for gates



Référence	Finish	GENCOD 3661598	Condit. par	Délai j
LE301001	raw	00639 2	12	7

 Multi-RAL : specify your color when placing the order (<https://www.couleursral.fr/ral-classic>)