

Possible applications include :

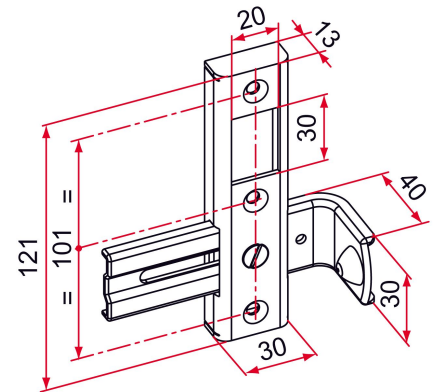


Swinging gate accessories



Features

- Reversible (left and right) Adjustable stop for panel thickness from 21 to 63 mm Delivered with fixing screws



Products to be ordered from :
 TIRARD SAS 16, Avenue du Vimeu Vert Z.A. du Vimeu Industriel 80210
 FEUQUIERES-EN-VIMEU
 email : commande@tirard-burgaud.com



Reversible strike plate with stop for GE lock with adjustable brass bolt for gate.

Possible applications include :



Swinging gate accessories



Référence	Finish	GENCOD 3661598	Condit. par	Délai j
GE292303	9005-80%	00513 5	1	14
GE291303	9016-80%	00508 1	1	14

 Multi-RAL : specify your color when placing the order (<https://www.couleursral.fr/ral-classic>)