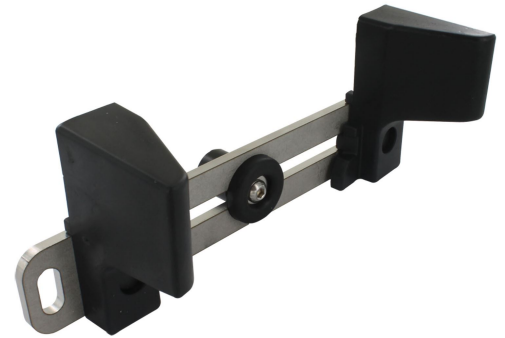


Possible applications include :

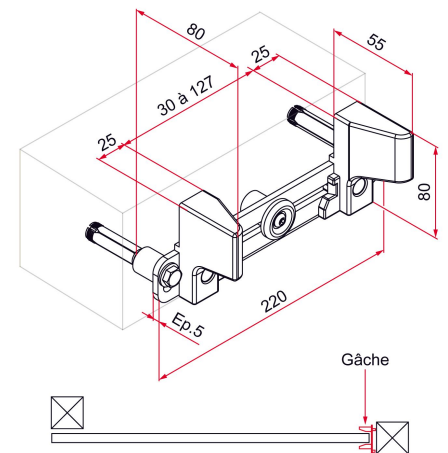


Sliding gate



## Features

- Reversible. Made of stainless steel and composite. Supplied with screws and expansion plugs.



Products to be ordered from :  
 TIRARD SAS 16, Avenue du Vimeu Vert Z.A. du Vimeu Industriel 80210  
 FEUQUIERES-EN-VIMEU  
 email : [commande@tirard-burgaud.com](mailto:commande@tirard-burgaud.com)

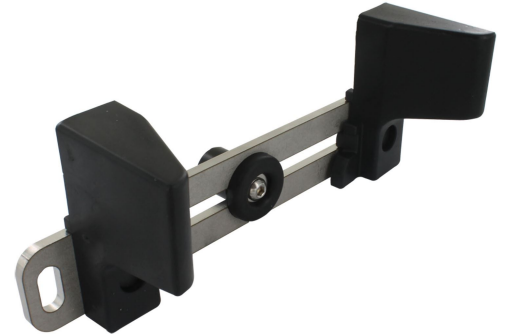


## Long strike plate - Thickness 5 - for offset posts or wall

Possible applications include :



Sliding gate



Référence	Finish	GENCOD 3661598	Condit. par	Délai j
NN401101	raw	04132 4	1	7

 Multi-RAL : specify your color when placing the order (<https://www.couleursral.fr/ral-classic>)