

Possible applications include :



Swinging gate accessories



Features

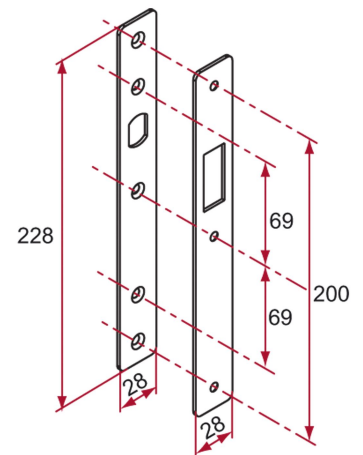
- Composed of: 1 stainless steel 304 flat headpiece 1 stainless steel 304 flat strike plate



- Recommended for profiles with a flush profile.

ATTENTION

- Fixing screws not included.



Products to be ordered from :
 TIRARD SAS 16, Avenue du Vimeu Vert Z.A. du Vimeu Industriel 80210
 FEUQUIERES-EN-VIMEU
 email : commande@tirard-burgaud.com



Latch without stop and GJ strike plate for gate

Possible applications include :



Swinging gate accessories



Référence	Finish	GENCOD 3661598	Condit. par	Délai j
GJ401301	raw	00515 9	1	7

Multi-RAL : specify your color when placing the order (<https://www.couleursral.fr/ral-classic>)