

Possible applications include :

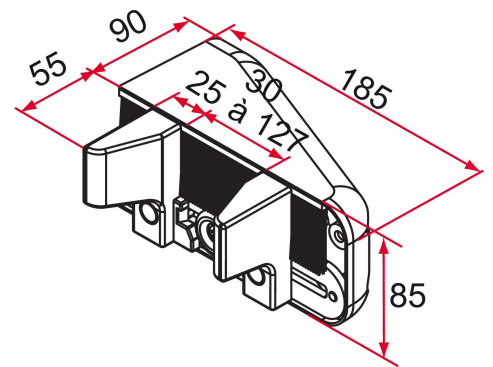


Sliding gate



Features

- Reversible rubber drain covers to prevent markings or scratches on the gate
- 5mm stainless steel bracket
- Zamak cover
- Black nylon brush to protect the opening of the housing
- For wooden, PVC or aluminum gates with a thickness of 30 to 120mm (adjustable drain covers)




Products to be ordered from :
 TIRARD SAS 16, Avenue du Vimeu Vert Z.A. du Vimeu Industriel 80210
 FEUQUIERES-EN-VIMEU
 email : commande@tirard-burgaud.com

Possible applications include :



Sliding gate



Référence	Finish	GENCOD 3661598	Condit. par	Délai j
NN792001	9005-80%	01431 1	3	7
NN791001	9016-80%	01430 4	3	7
NN725001	1015-30%	03867 6	3	14
NN7XX001		01738 1	1	21

 Multi-RAL : specify your color when placing the order (<https://www.couleursral.fr/ral-classic>)