

Possible applications include :



Sliding gate



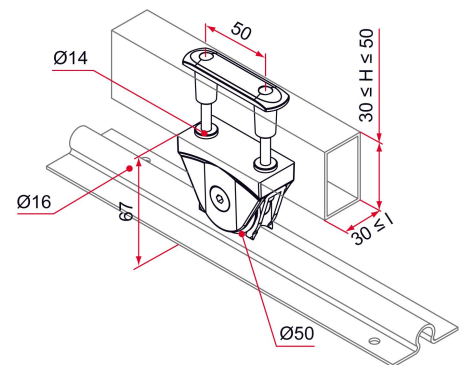
Features

- Raw or powder-coated aluminum bracket Zinc-plated or stainless steel roller Load capacity per roller 200 Kg With anti-corrosion treated screws (Géomet®) and mounting plate



Tip

- Complies with the NF EN13241-1 standard.



Products to be ordered from :
 TIRARD SAS 16, Avenue du Vimeu Vert Z.A. du Vimeu Industriel 80210
 FEUQUIERES-EN-VIMEU
 email : commande@tirard-burgaud.com



Roller - Ø50 - with fixing plate and protection - surface mounted for U-shaped and omega-shaped rail.

Possible applications include :



Sliding gate



Référence	Wheel material	Finish	GENCOD 3661598	Condit. par	Délai j
NN192002P	steel	9005-80%	04151 5	1	21
NN191002P	steel	9016-80%	04149 2	1	14
NN190001P	steel	9010-30%	04150 8	1	14
NN492001P	stainless steel	9005-80%	04154 6	1	21
NN491001P	stainless steel	9016-80%	04152 2	1	14
NN490001P	stainless steel	9010-30%	04153 9	1	14
NN4XX001P	stainless steel		04807 1	1	21

Multi-RAL : specify your color when placing the order (<https://www.couleursral.fr/ral-classic>)