

Possible applications include :



Sliding gate



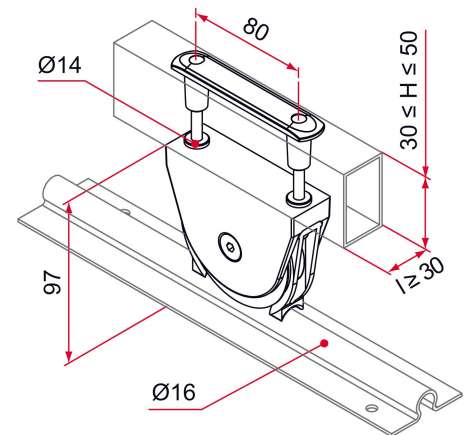
Features

- Powder-coated aluminum bracket Zinc-plated or stainless steel roller Load capacity per roller: 200 Kg With anti-corrosion treated screws (Géomet®) and mounting plate



Tip

- Complies with the NF EN13241-1 standard.



Products to be ordered from :
 TIRARD SAS 16, Avenue du Vimeu Vert Z.A. du Vimeu Industriel 80210
 FEUQUIERES-EN-VIMEU
 email : commande@tirard-burgaud.com



Roller - Ø80 - with fixing plate and protection - surface mounted for U-shaped and omega-shaped rail.

Possible applications include :



Sliding gate



Référence	Wheel material	Finish	GENCOD 3661598	Condit. par	Délai j
NN192010P	steel	9005-80%	03011 3	1	14
NN191010P	steel	9016-80%	04156 0	1	7
NN190010P	steel	9010-30%	04157 7	1	14
NN1XX010P	steel		05017 3	1	21
NN492020P	stainless steel	9005-80%	04161 4	1	14
NN491020P	stainless steel	9016-80%	04159 1	1	7
NN490020P	stainless steel	9010-30%	04160 7	1	14
NN4XX020P	stainless steel		05018 0	1	21

Multi-RAL : specify your color when placing the order (<https://www.couleursral.fr/ral-classic>)