

Possible applications include :

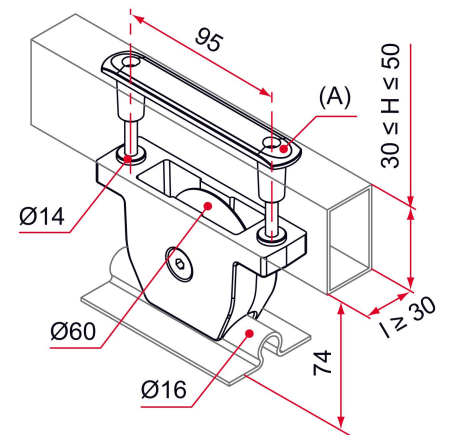


Sliding gate



## Features

- Powder-coated aluminum bracket and plate. Zinc-plated or stainless steel roller. Maximum load capacity per roller: 200 Kg. Includes corrosion-resistant screws (Géomet®) and mounting plate.



Products to be ordered from :  
 TIRARD SAS 16, Avenue du Vimeu Vert Z.A. du Vimeu Industriel 80210  
 FEUQUIERES-EN-VIMEU  
 email : [commande@tirard-burgaud.com](mailto:commande@tirard-burgaud.com)

Possible applications include :



Sliding gate



Référence	Wheel material	Finish	GENCOD 3661598	Condit. par	Délai j
NN192060	steel	9005-80%	04026 6	1	14
NN191060	steel	9016-80%	04025 9	1	7
NN1XX060	steel		04027 3	1	21
NN492060	stainless steel	9005-80%	04030 3	1	14
NN491060	stainless steel	9016-80%	04029 7	1	7
NN4XX060	stainless steel		04031 0	1	21

Multi-RAL : specify your color when placing the order (<https://www.couleursral.fr/ral-classic>)