

Possible applications include :

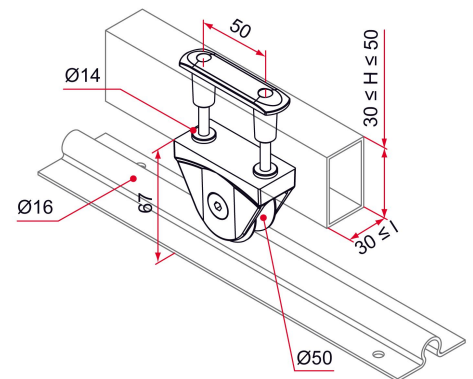


Sliding gate



Features

- Raw or powder-coated aluminum bracket Zinc-plated or stainless steel roller Maximum load capacity per roller: 200 Kg Includes corrosion-resistant screws (Géomet®) and mounting plate



Products to be ordered from :
 TIRARD SAS 16, Avenue du Vimeu Vert Z.A. du Vimeu Industriel 80210
 FEUQUIERES-EN-VIMEU
 email : commande@tirard-burgaud.com



Roller - Ø50 - with fixing plate without protection - surface mounted for U-shaped and omega-shaped rail.

Possible applications include :



Sliding gate



Référence	Wheel material	Finish	GENCOD 3661598	Condit. par	Délai j
NN192002	steel	9005-80%	01718 3	1	21
NN191002	steel	9016-80%	01601 8	1	14
NN190001	steel	9010-30%	01597 4	1	14
NN1XX002	steel		01569 1	1	21
NN492001	stainless steel	9005-80%	01726 8	1	14
NN491001	stainless steel	9016-80%	01622 3	1	14
NN490001	stainless steel	9010-30%	01618 6	1	14
NN4XX001	stainless steel		01581 3	1	21

Multi-RAL : specify your color when placing the order (<https://www.couleursral.fr/ral-classic>)