

Possible applications include :

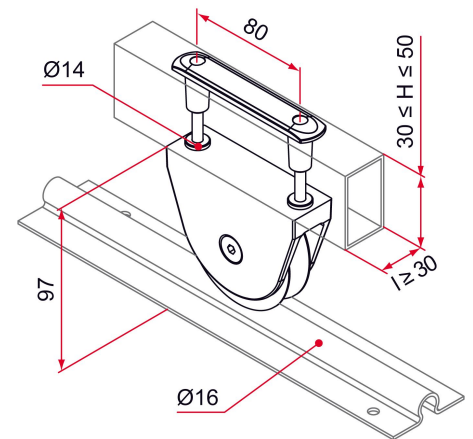


Sliding gate



Features

- Powder-coated aluminum bracket Zinc-plated or stainless steel roller Load capacity per roller: 200 Kg With anti-corrosion treated screws (Géomet®) and mounting plate



Products to be ordered from :
 TIRARD SAS 16, Avenue du Vimeu Vert Z.A. du Vimeu Industriel 80210
 FEUQUIERES-EN-VIMEU
 email : commande@tirard-burgaud.com

Possible applications include :



Sliding gate



Référence	Wheel material	Finish	GENCOD 3661598	Condit. par	Délai j
NN192010	steel	9005-80%	01724 4	1	14
NN191010	steel	9016-80%	01603 2	1	7
NN190010	steel	9010-30%	01599 8	1	14
NN1XX010	steel		01571 4	1	21
NN492020	stainless steel	9005-80%	01727 5	1	14
NN491020	stainless steel	9016-80%	01624 7	1	7
NN490020	stainless steel	9010-30%	01620 9	1	14
NN4XX020	stainless steel		01583 7	1	21

Multi-RAL : specify your color when placing the order (<https://www.couleursral.fr/ral-classic>)