

Possible applications include :



Sliding gate



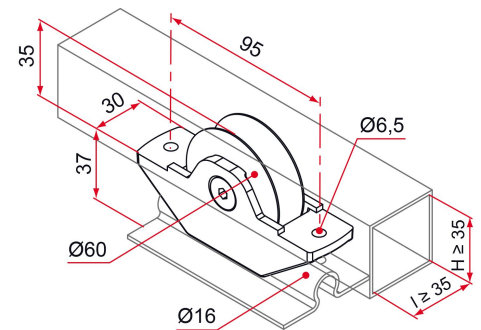
## Features

- Powder-coated aluminum bracket Zinc-plated or stainless steel roller Load capacity per roller 200 Kg With corrosion-resistant treated screws (Géomet®)

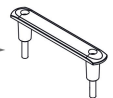


### Tip

- The fixing plate (see diagram) is compatible with this roller.



Compatible avec cette plaque de fixation



Products to be ordered from :  
 TIRARD SAS 16, Avenue du Vimeu Vert Z.A. du Vimeu Industriel 80210  
 FEUQUIERES-EN-VIMEU  
 email : [commande@tirard-burgaud.com](mailto:commande@tirard-burgaud.com)

Possible applications include :



Sliding gate



Référence	Wheel material	Finish	GENCOD 3661598	Condit. par	Délai j
NN192040	steel	9005-80%	04004 4	1	7
NN191040	steel	9016-80%	04003 7	1	14
NN1XX040	steel		04005 1	1	21
NN492040	stainless steel	9005-80%	04008 2	1	7
NN491040	stainless steel	9016-80%	04007 5	1	14
NN4XX040	stainless steel		04009 9	1	21

Multi-RAL : specify your color when placing the order (<https://www.couleursral.fr/ral-classic>)