

Possible applications include :

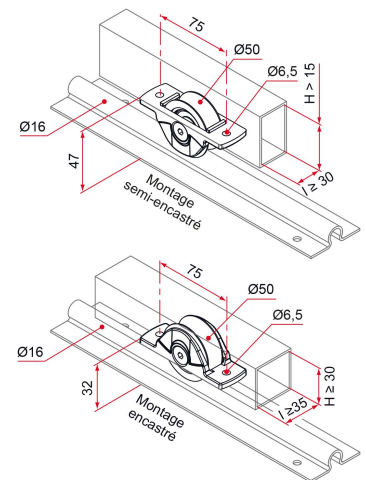


Sliding gate



## Features

- Raw or powder-coated aluminum bracket Zinc-plated or stainless steel roller Maximum load capacity per roller 200 Kg With corrosion-resistant screws (Géomet®)



Products to be ordered from :  
 TIRARD SAS 16, Avenue du Vimeu Vert Z.A. du Vimeu Industriel 80210  
 FEUQUIERES-EN-VIMEU  
 email : [commande@tirard-burgaud.com](mailto:commande@tirard-burgaud.com)

Possible applications include :



Sliding gate



Référence	Wheel material	Finish	GENCOD 3661598	Condit. par	Délai j
NN192003	steel	9005-80%	01719 0	1	7
NN191003	steel	9016-80%	01602 5	1	14
NN190002	steel	9010-30%	01598 1	1	14
NN1XX003	steel		01570 7	1	21
NN492002	stainless steel	9005-80%	01722 0	1	7
NN491002	stainless steel	9016-80%	01623 0	1	14
NN490002	stainless steel	9010-30%	01619 3	1	20
NN4XX002	stainless steel		01582 0	1	21

Multi-RAL : specify your color when placing the order (<https://www.couleursral.fr/ral-classic>)