

Possible applications include :

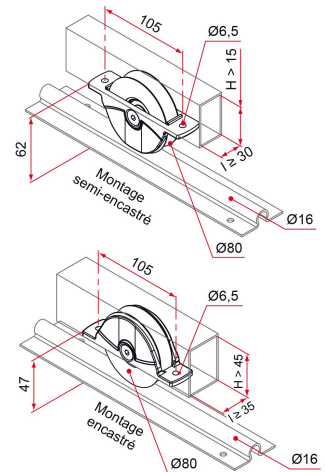


Sliding gate



Features

- Powder-coated aluminum bracket Zinc-plated or stainless steel roller Load capacity per roller: 200 Kg With corrosion-resistant screws (Géomet®)



Products to be ordered from :
 TIRARD SAS 16, Avenue du Vimeu Vert Z.A. du Vimeu Industriel 80210
 FEUQUIERES-EN-VIMEU
 email : commande@tirard-burgaud.com

Possible applications include :



Sliding gate



Référence	Wheel material	Finish	GENCOD 3661598	Condit. par	Délai j
NN192020	steel	9005-80%	01720 6	1	7
NN191020	steel	9016-80%	01604 9	1	7
NN190020	steel	9010-30%	01600 1	1	7
NN1XX020	steel		01572 1	1	21
NN492030	stainless steel	9005-80%	01723 7	1	7
NN491030	stainless steel	9016-80%	01625 4	1	7
NN490030	stainless steel	9010-30%	01621 6	1	7
NN4XX030	stainless steel		01584 4	1	21

Multi-RAL : specify your color when placing the order (<https://www.couleursral.fr/ral-classic>)